



YLI ELECTRONIC



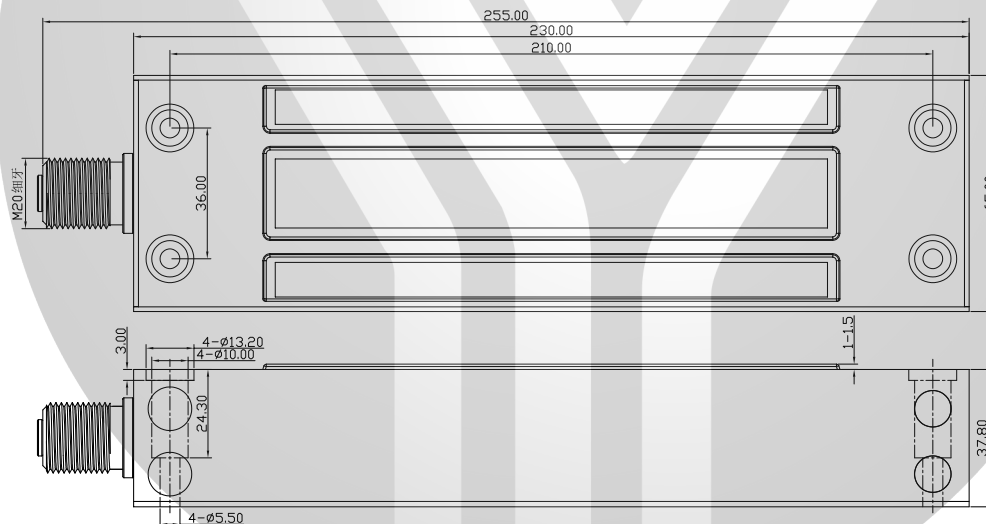
Waterproof Magnetic Lock

Model: YM-500FW

Specification

Dimension	255Lx65Wx37.8H(mm)
Holding Force	500kg(1100Lbs)
Voltage	12V DC or 24V DC
Current	12V/500mA±10% 24V/250mA±10%
Signal Output	Lock signal NO/COM
Suitable for	Safety door fireproof door iron door aluminum door
Operating Temp	-10~+55℃
IP rate	IP-68
Weight	4.5kg

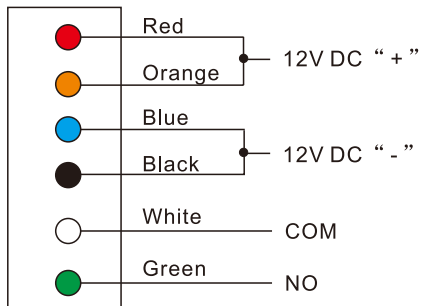
Diagram



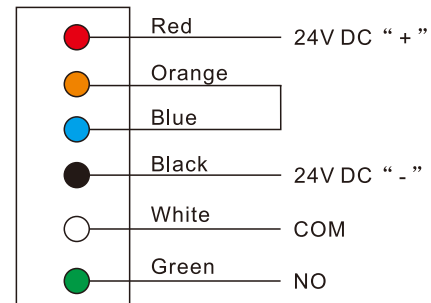
- ⚠ Notice:** Please read the following instructions before installation.
- A. Please handle the lock carefully. Any damage of the surface or the armature plate will reduce the magnetic force.
 - B. Fix the lock on the door frame and the armature plate on the door leaf. The accessories can provide better conjunction to the lock and the armature plate.
 - C. Please keep the door closed when you drill holes.
 - D. Fasten the screws of the lock.
 - E. The limit value of the reed switch of the door signal detection is 0.5A/30V DC. Don't overload.
 - F. Make sure the armature plate can be slightly shaken when locked, for the rubber washer need some spaces to adjust the position of the armature plate and the lock.
 - G. Please select the correct wiring for DC 12V or DC 24V voltage input.

Wire Diagram

A. 12V DC Input

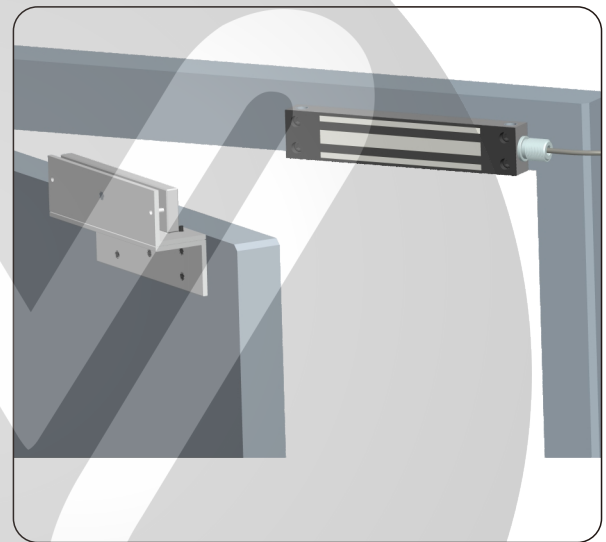
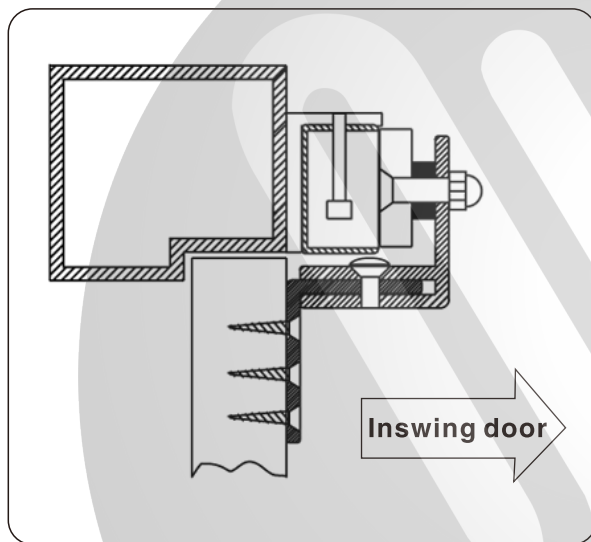


B. 24V DC Input



ZL Bracket

ZL Bracket-For inward opening door For inward opening door, ZL bracket is needed.



Step 1: There must be 2 metal washers and 1 rubber washer between armature plate and Z-shaped bracket. Put the rubber washer between 2 metal washers. Lock the flattop screw in the middle of armature plate to the Z-shaped plate.

Note: Make sure the armature plate can be slightly shaken when locked. This will provide better conjunction to the magnet and reach the best efficiency.

Step 2: Drill 5 holes for the fixing the Z-shaped plate on the door fan. Make sure the positions of hole correspond to the magnet. Fasten the Z-shaped plate into the door fan firmly. Adjust the proper conjunction between Z-shaped plate and sheer strike plate.

Note: The Z-shaped plate should be equipped with the anti-sliding washers to avoid sliding.