



YLI ELECTRONIC

Electric lock isolated barrier

Specification

Product size: 73Lx56Wx23.5H(mm)

Uo: 13.6V; Io: 550mA

Co: 0.82μF ; Lo: 0.16mH

Po:7.5W

Intrinsically electrical parameters:

(Between the terminal 1 and 2)Single door isolated barrier

(Between the terminal 1 and 2, between 3 and 4)

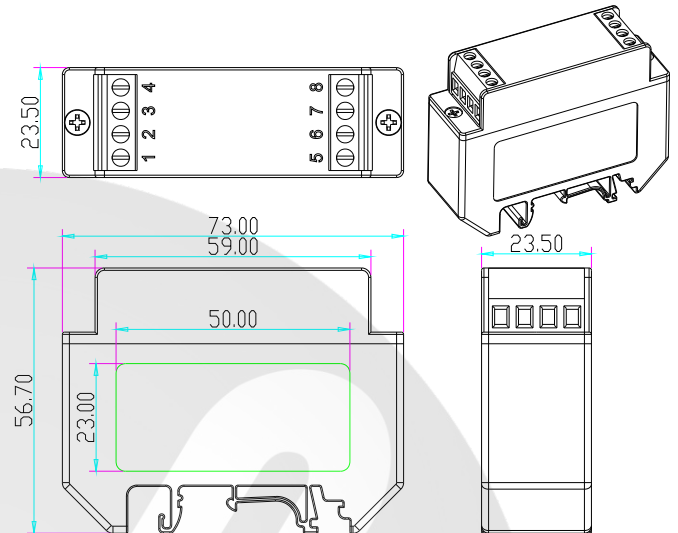
Double door isolated barrier

Operating temperature: -20°C~+55°C

Product weight: 0.15kg

Patent No: 202230622215.2

Dimensions (Unit:mm)



Diagram

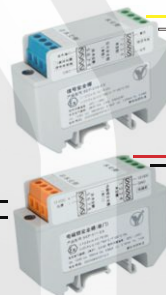
Access controller



Signal interface S 5
GND 8

Electric lock power interface + 5
- 6

Signal isolated barrier



1 Yellow

4 White

1 Red

2 Black

Single door explosion-proof electric lock



Single door electric lock isolated barrier

Access controller



Signal interface 1 S1 5

Signal interface 2 S2 6
GND 8

Electric lock power interface 1 + 5
- 6

Electric lock power interface 2 + 7
- 8

Signal isolated barrier



1 Yellow 1

2 Yellow 2

4 White 1+ White 2

1 Red 1

2 Black 1

3 Red 2

4 Black 2

Double door explosion-proof electric lock



Double door electric lock isolated barrier