

RYM02M2

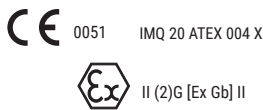
2 channel control unit

RYM02M1

4 channel control unit

RYM02M0

8 channel control unit



ACCESSORIES

ACAL10

Power Supply 100 .. 240V 50 .. 60Hz



INDUSTRIAL CONTROL UNIT WITH 2 .. 8 ZONES - 4..20 mA

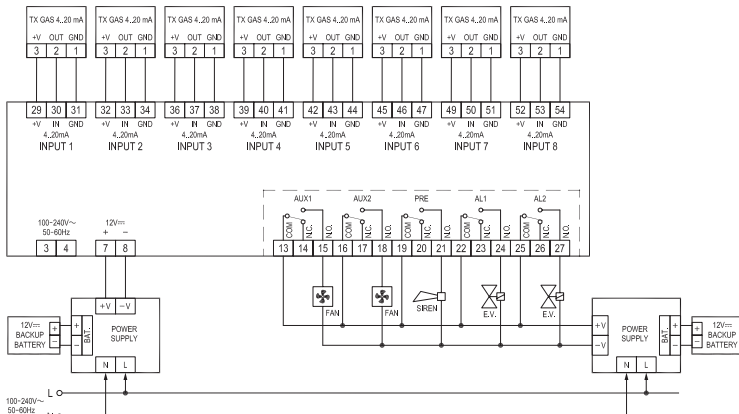
Industrial gas detection control unit in 9-module DIN housing, capable of monitoring the concentration of gas up to a maximum of 8 zones. A 4 .. 20 mA transmitter can be connected indiscriminately for each zone for the detection of LPG, Natural Gas, Carbon Monoxide (CO) or Gas Vapor and Hydrogen..

ATEX certification according to performance requirements EN60079-29-1 (2016)

TECHNICAL FEATURES

Power supply:	12..24 V o 100..240 V , 50..60 Hz
Versions:	2/4/8 outputs
Manages transmitters:	CO, LPG, Methane (CH4) and Gas Vapors (n-octane)
Display:	LCD 2 x 16
Mounting:	DIN bar 9 modules
Outputs:	1 Relay Pre-Alarm 1 Relay Alarm 1 1 Relay Alarm 2 2 Relays auxiliary
Contacts rating:	5 x 8A 250V~ cosφ =1
Events:	Open, Fault, Pre-Alarm, Alarm 1, Alarm 2
Pre-Alarm threshold range:	Methane, L.P.G. and Gas vapor OFF / 1%..100% LEL CO OFF / 1 .. 999 ppm
Alarm 1 threshold range:	Methane, L.P.G. and Gas vapor OFF / 1%..100% LEL CO OFF / 1 .. 999 ppm
Alarm 2 threshold range:	Methane, L.P.G. and Gas vapor OFF / 1%..100% LEL CO OFF / 1 .. 999 ppm
Fault:	activate the buzzer and the yellow blinking.
Pre-Alarm:	activate the buzzer, the yellow and red blinking leds.
Alarm 1:	activate the buzzer, the yellow and red fixed light leds.
Alarm 2:	activate the buzzer, the yellow and red fixed light leds.
Dimensions:	H6.2 x W3.5 x D2.8 in - H158 x W90 x D71 mm
Compliant with performance std:	EN 60079-29-1: 2016
ATEX Certificate:	IMQ 20 ATEX 004 X
Protection grade:	IP20

ALIMENTAZIONE 12V==



ALIMENTAZIONE 100-240V~ 50-60Hz

